

806-A01-050

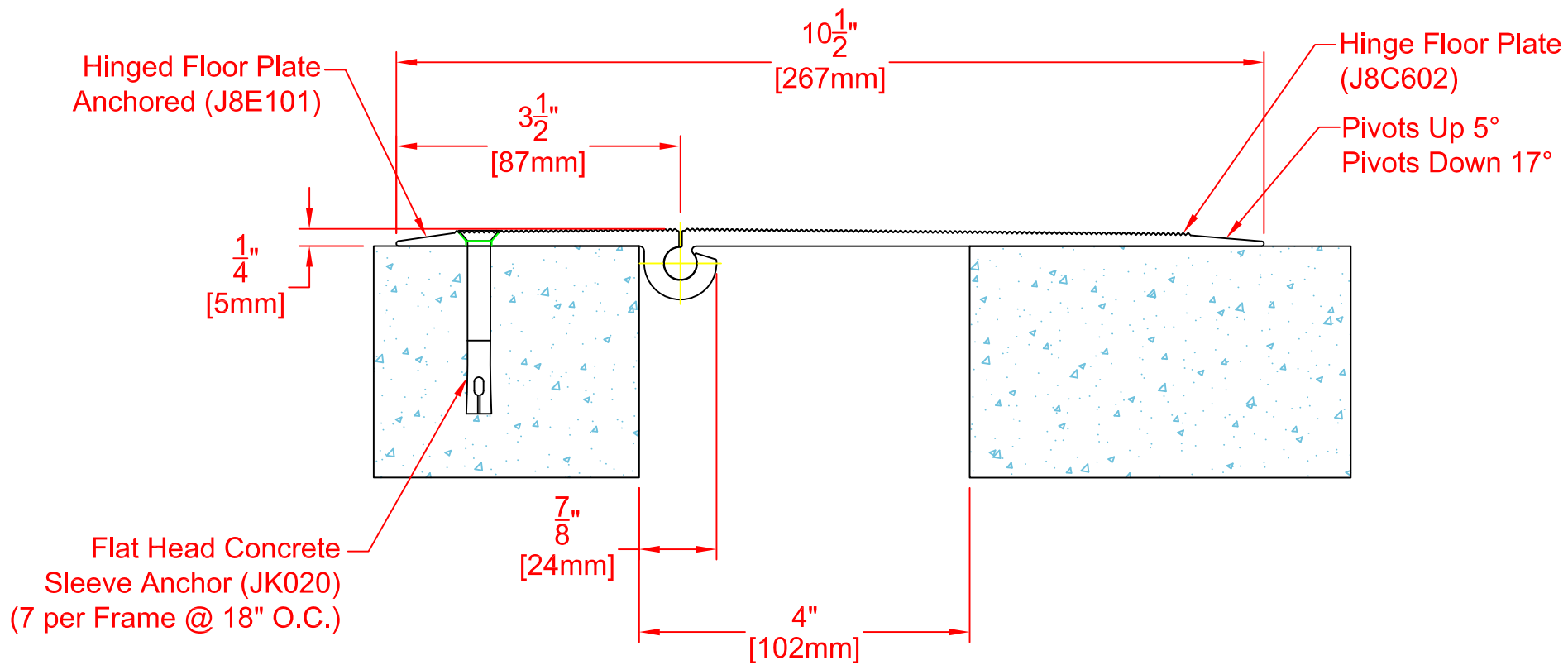
Joint Width		Movement ± Horizontal	
US	mm	US	mm
2"	51	1"	25

JOINTMASTER™
EXPANSION JOINT SYSTEMS

DATE: 4-30-08
SCALE: 1:2
DOC: CADJM.127/Rev2

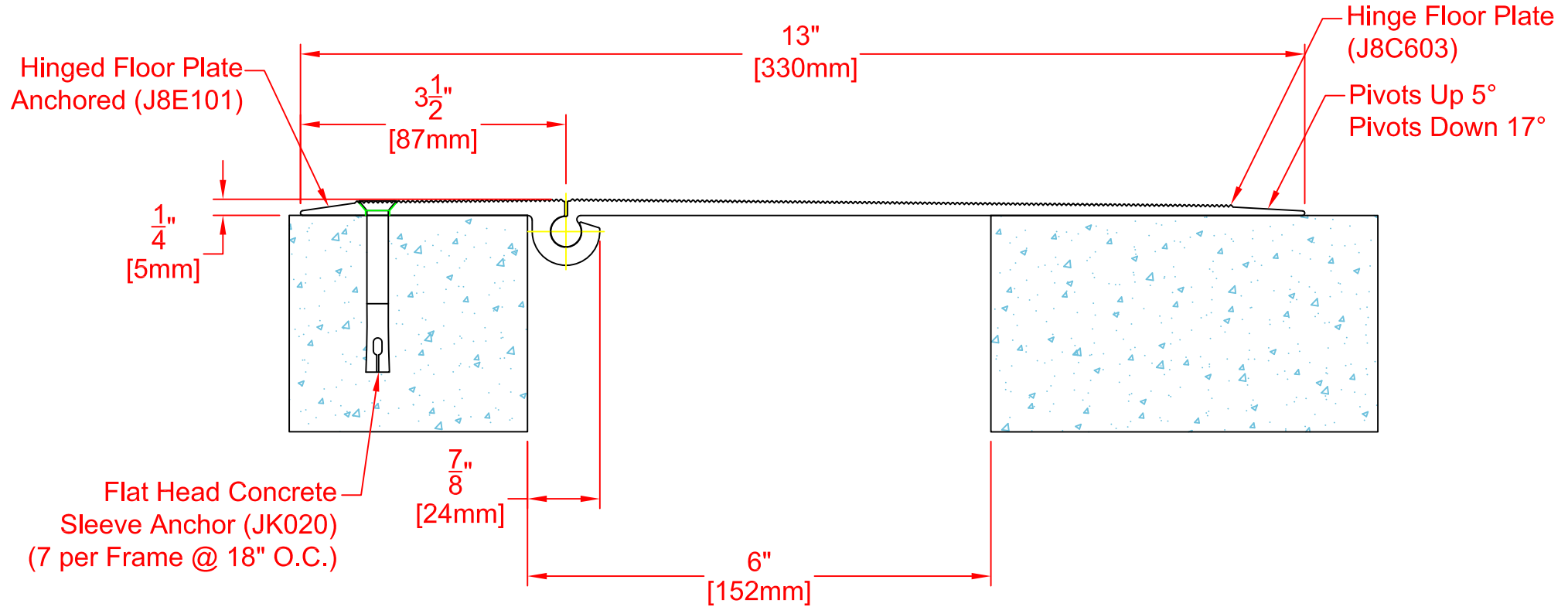
APPLICATION-
FLOOR/FLOOR COVER PLATE

inpro.



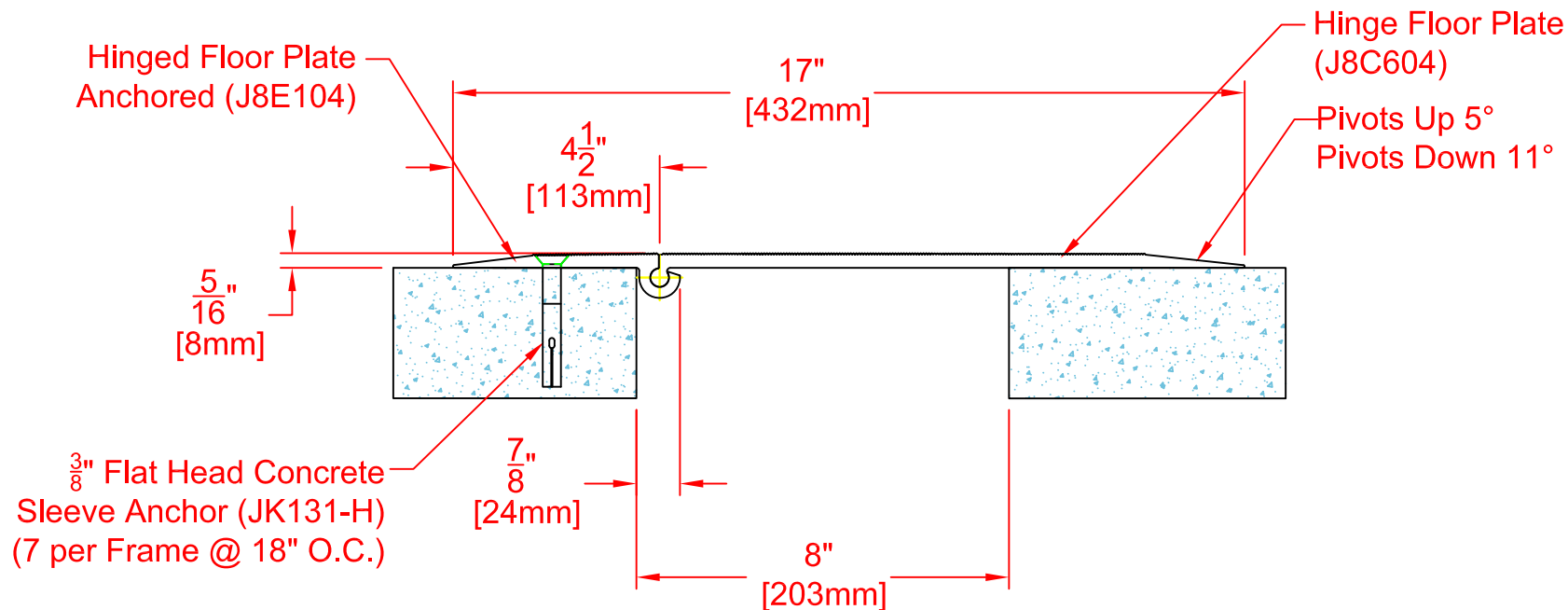
806-A01-100

Joint Width		Movement ± Horizontal	
US	mm	US	mm
4"	102	2"	51



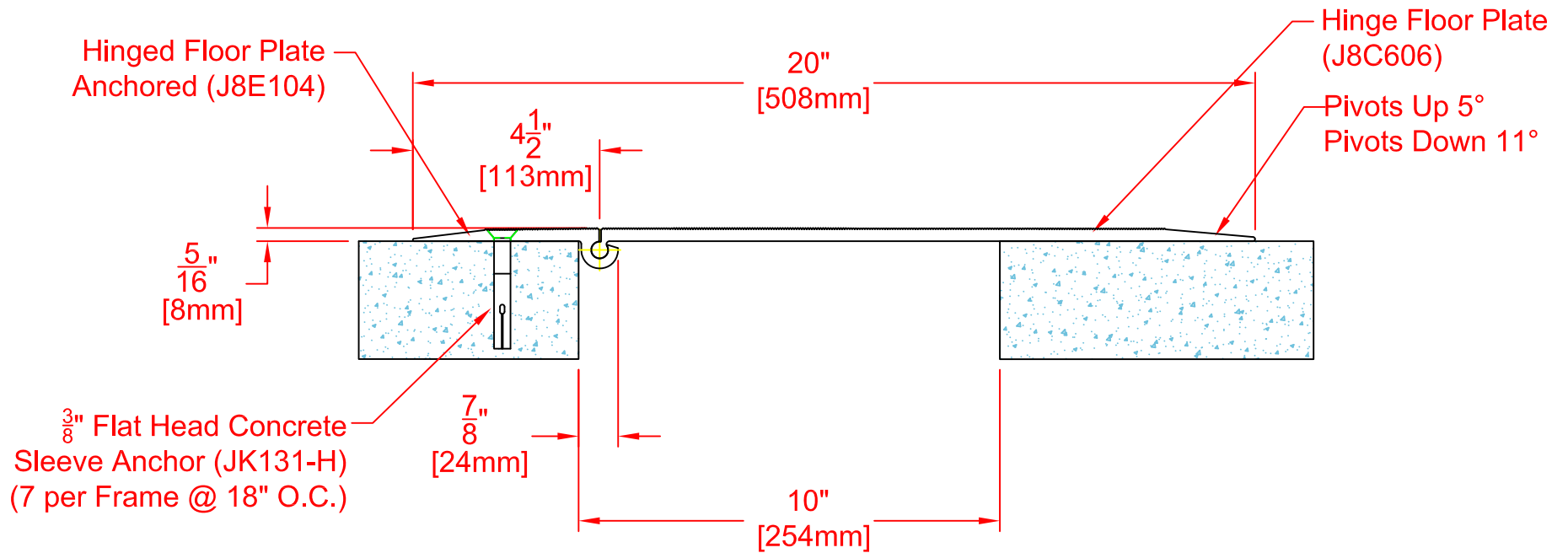
806-A01-150

Joint Width		Movement ± Horizontal	
US	mm	US	mm
6"	152	3"	76



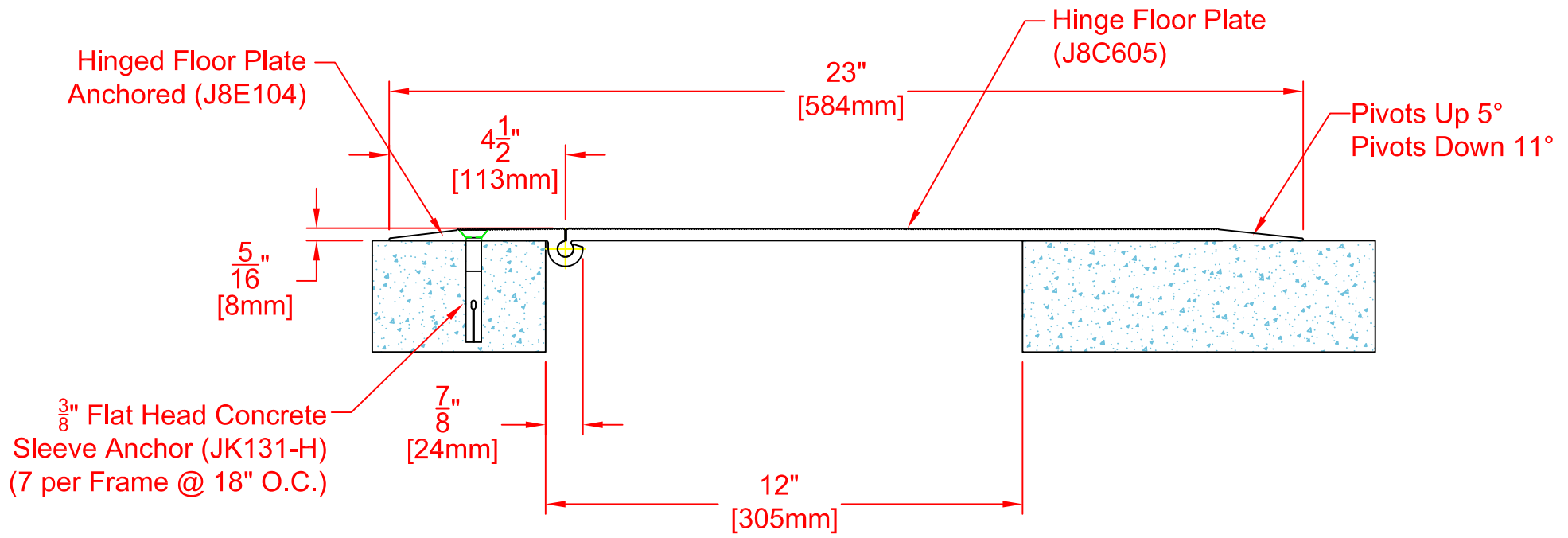
806-A01-200

Joint Width		Movement ± Horizontal	
US	mm	US	mm
8"	203	4"	102



806-A01-250

Joint Width		Movement ± Horizontal	
US	mm	US	mm
10"	254	5"	127



806-A01-300

Joint Width		Movement ± Horizontal	
US	mm	US	mm
12"	305	6"	152